

# TMN-51 Serial to GPRS Gateway

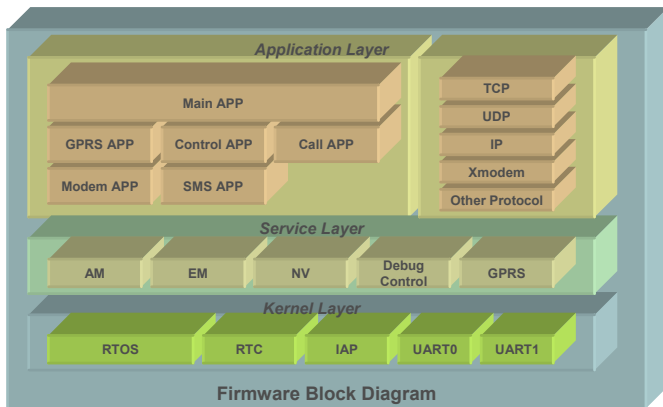
**TMAS**  
WIRELESS TELEMETRY

Your Gateway to  
Many M2M possibilities



## Overview

TMN-51 is a plug and play serial to GPRS gateway. It can easily retrofit a traditional serial communication system to a more advanced GPRS platform. Remote devices can be centrally managed without upgrading the device firmware and central software. Unlike those systems that the devices are centrally managed via PSTN or GSM dial up line or lease line, TMN-51 can be a more cost economical solution to achieve a "always on" data link network. It is a full transparent, protocol independent gateway, for AMR, SCADA, general remote monitoring, control and data exchange applications.



## Key Features

### Plug and Play

- Full Transparent Data Transmission
- Protocol independent

### Rich Options

- UDP for fast and bulk data transfer
- TCP for reliable data transfer
- App control protocol for secure data transfer

### Robust Operation

- Self test
- Self reset and recovery
- Data buffering
- Support auxiliary data center

### Easy Control

- Remote configuration by SMS or GPRS
- Remote activation by SMS or Data Call

### Always ON Connection

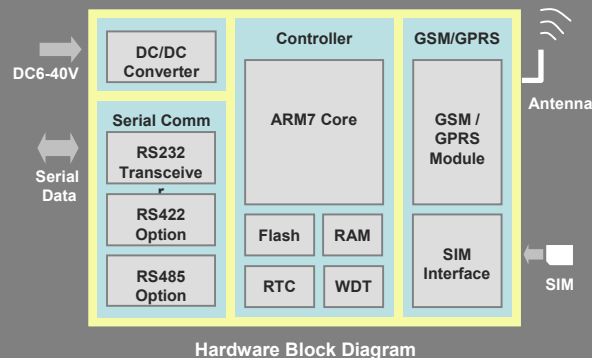
- Heart beat feature for socket connection
- Time to live timer for network checking

### Flexible Operation

- 3 methods of serial data packetization
- Server mode and client mode for connection
- Static or dynamic IP
- Support RS232 / 485 / 422 hardware interface
- Can work as a standard GSM/GPRS modem

### Highly Configurable

- Easy configuration by HyperTerminal
- PC tools for direct or remote configuration
- VSP driver for existing central applications



## Basic Specification

- TCP/UDP selectable for different application
- DTU ID, Device ID and Password are provided for secure connection
- Client / Server mode
- GPRS modem
- Auto connection maintenance
- Self diagnose and self recovery

## Data Transfer specification

- GPRS class 10
- TCP/UCP protocol
- 5 K data buffer for reliable transfer
- Packetized the data by packet size, interval, or special end character
- Protocol independent
- Support up to 1450 bytes per packet

## HW specification

- Cinterion Dual-Band EGSM900 and GSM1800
- Compliant to GSM phase 2/2+
- Output Power : Class 4 (2w) for EGSM900 Class 1 (1w) for GSM1800
- Multiplex RS232 interface
- Power Save Mode
- Supply voltage : 6-40VDC
- Dimensions : 86 x 54 x 25mm
- Weight : 110g
- Temperature (normal Operation): 0 to +55 °C
- Temperature (Restricted Operation): -20 to +70 °C

## Interface specification

- Standard Plug-in power supply
- SIM Card Holder
- Standard DB9 for RS232 / 485 / 422
- SMA Female antenna connector
- Status LED

## Optional Accessories

- Refer to Modem Accessories Flyer



**TCAM TECHNOLOGY PTE LTD**

60 Kaki Bukit Place #07-06 Eunos TechPark (Lobby B) Singapore 415979  
Tel: 67461930 Fax: 67461938 Web: www.tcam.com.sg

